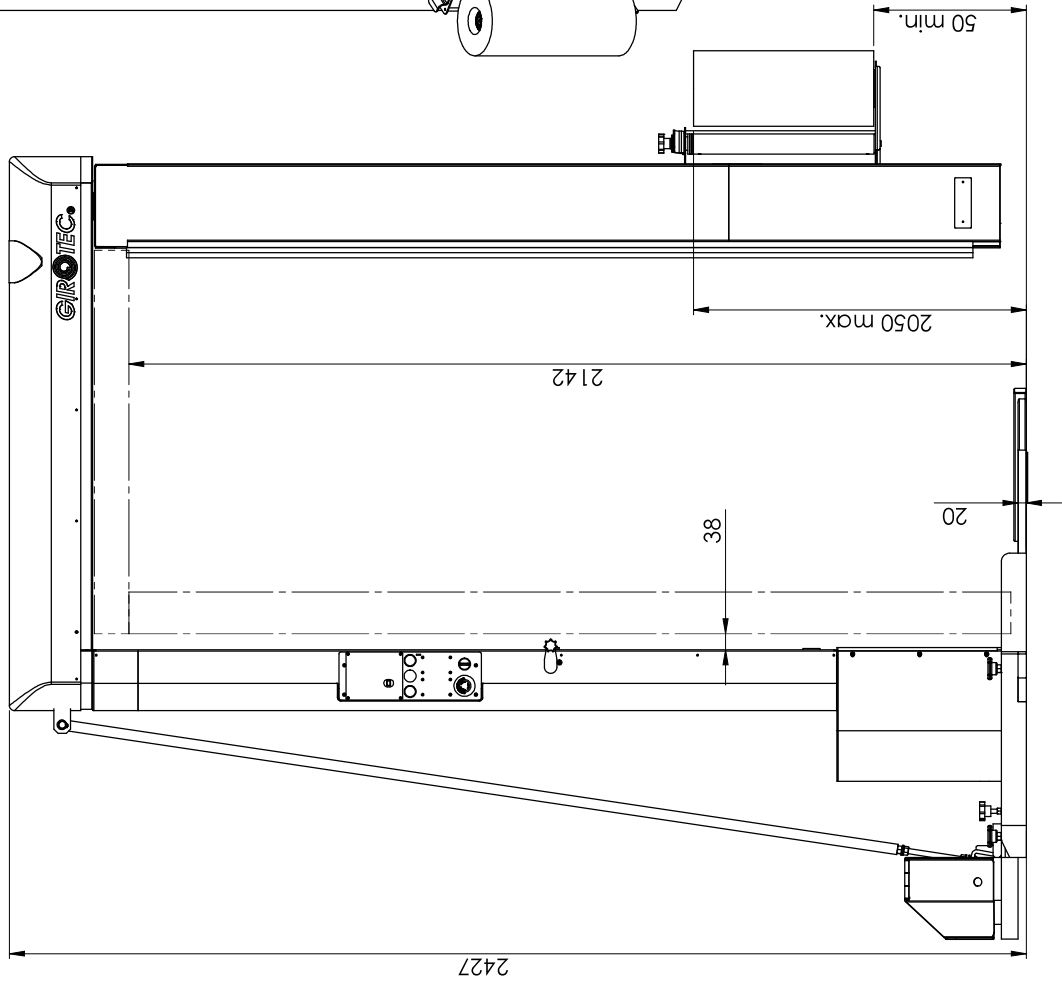
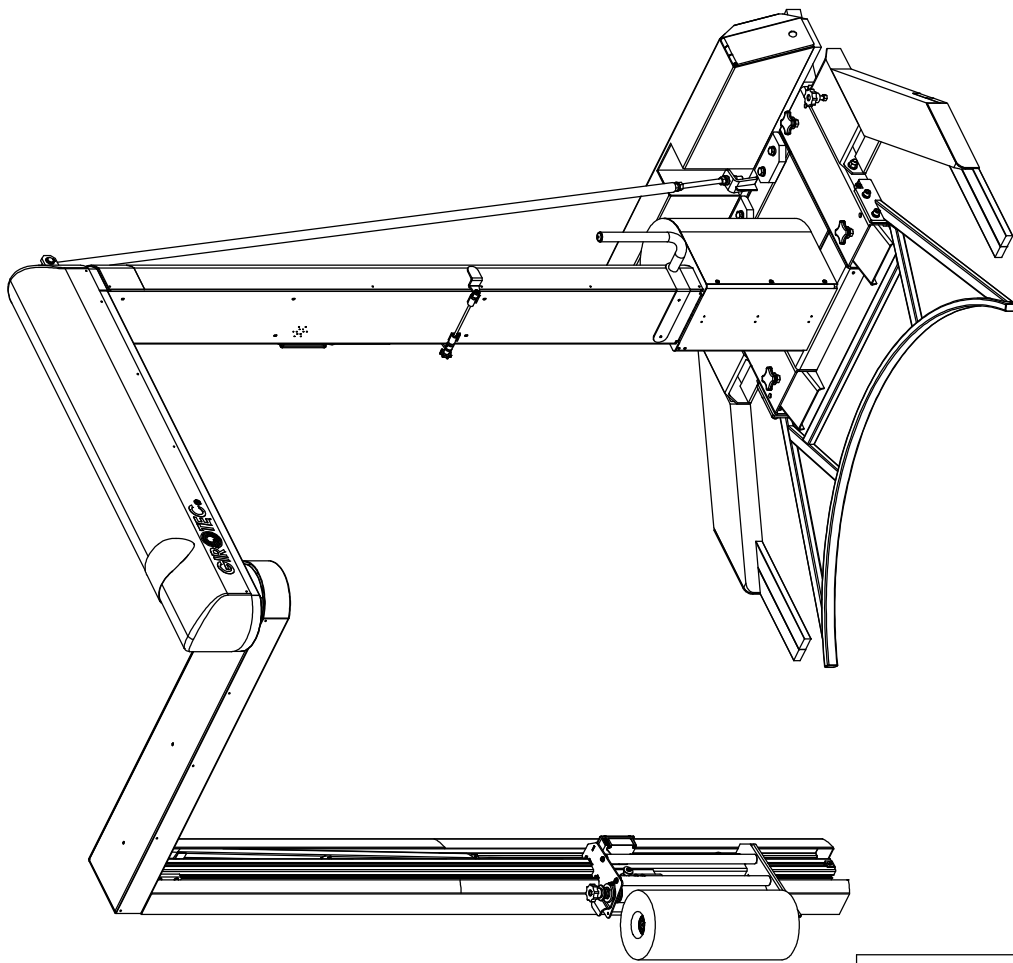



This document must not be copied without our written permission and the contents thereof must not be imparted to a third party nor be used for any unauthorized purpose contravening our written permission and the contents thereof will be prosecuted
 Halolia Bulgaria



Designer PBA	Drawn PBA	Model Number	Scale 1:12	Weight 170/330 Kg	Replaced
Description Girotec II ST/STB 2000			Page 1 / 3	Date 10.10.2012	
 Machines & Service			Drawing Number G0271500		